

IN THE DRAWINGS:

The attached sheets of drawings include changes to FIGS. 7, 13, and 17. These sheets, which include FIGS. 7, 11-13, and 16-17, replace the original sheets including FIGS. 7, 11-13 and 16-17.

Specifically, FIG. 7 has been revised to change the reference numeral "24" (two occurrences, one appearing in left-hand portion and one appearing in right-hand portion of the figure) to --26-- to eliminate redundancy with previously used reference numerals; FIG. 13 has been revised to delete reference numeral "24" together with its corresponding lead line; and FIG. 17 has been revised to relocate reference numeral --100-- together with its corresponding lead line. No new matter has been added.

REMARKS

Claims 1 through 3, 6 through 11, 13 through 20, 23 through 31, 34 through 37, 40 and 41 are currently pending in the application. Claims 1, 6, 14, 18 and 29 have been amended. Applicant has also amended the specification to correct minor errors in text. Applicant respectfully requests reconsideration of the application as amended herein.

ENTRY OF AMENDMENTS

The amendments to claims 1, 6, 14, 18 and 29 above should be entered by the Examiner because the amendments are supported by the as-filed specification and drawings and do not add any new matter to the application.

CONCLUSION

Claims 1 through 3, 6 through 11, 13 through 20, 23 through 31, 34 through 37, 40 and 41 are believed to be in condition for allowance, and an early notice thereof is respectfully solicited. Should the Examiner determine that additional issues remain which might be resolved by a telephone conference, he is respectfully invited to contact Applicant's undersigned attorney.

Respectfully submitted,



James R. Duzan
Registration No. 28,393
Attorney for Applicant
TRASKBRITT
P.O. Box 2550
Salt Lake City, Utah 84110-2550
Telephone: 801-532-1922

Date: May 11, 2005
JRD/dlm:lmh
Enclosures: Replacement Sheets
Annotated Sheets Showing Changes

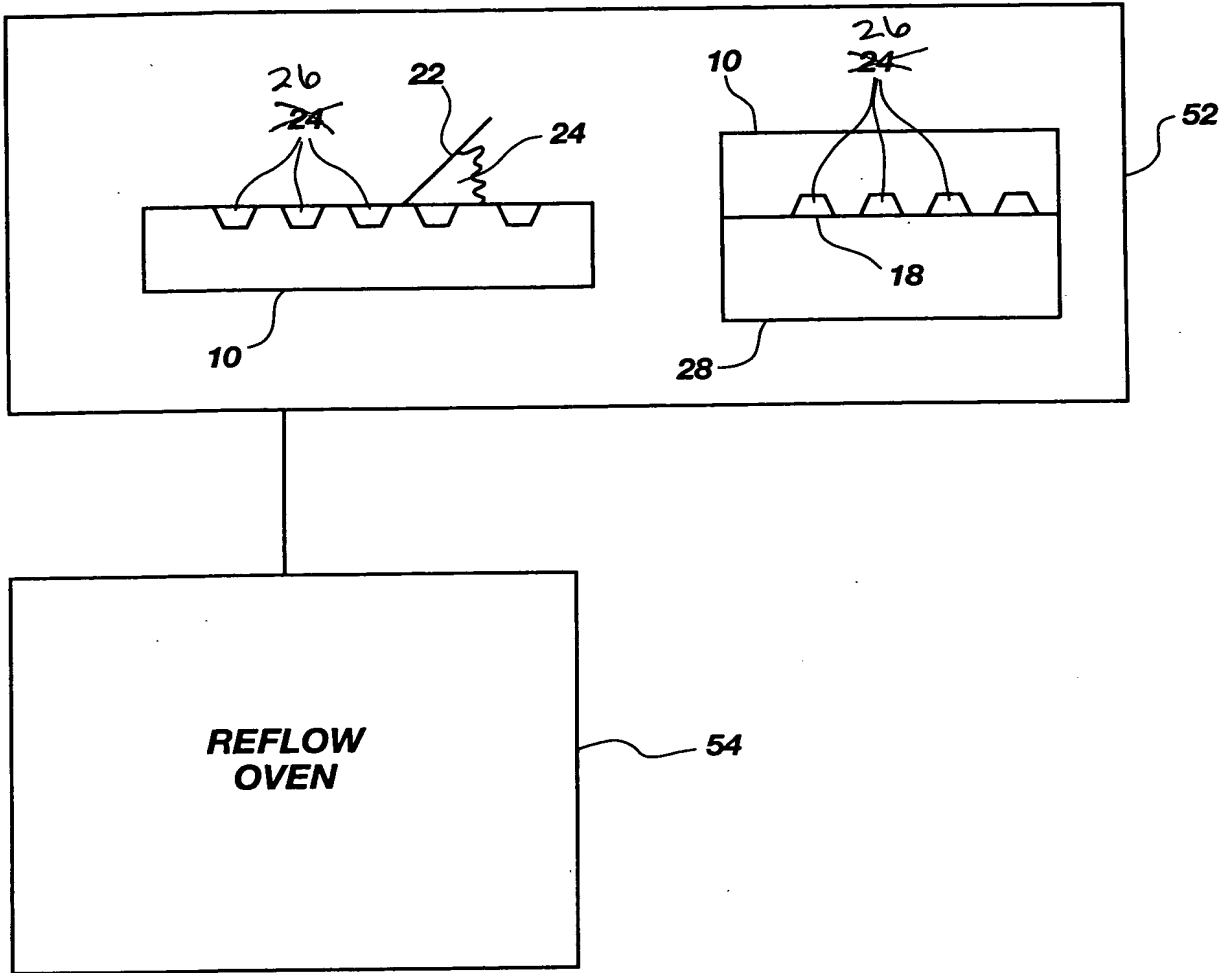


Fig. 7

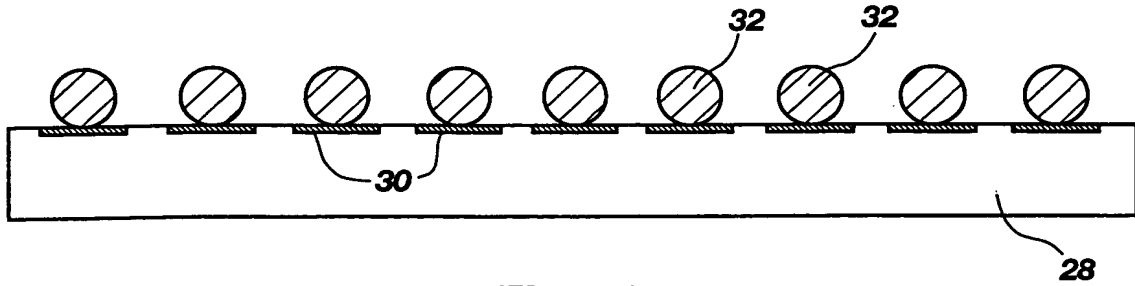


Fig. 11

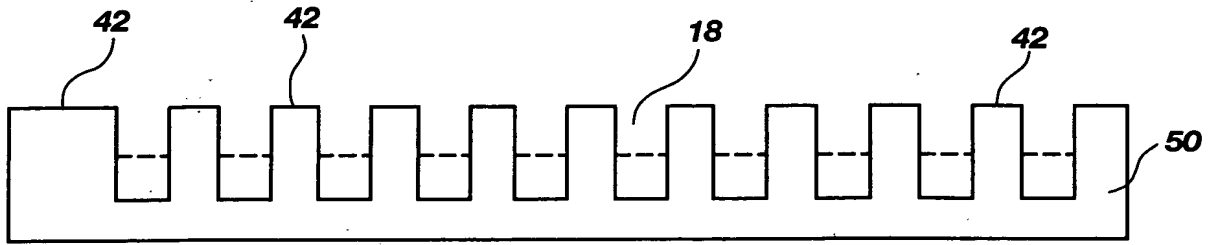


Fig. 12

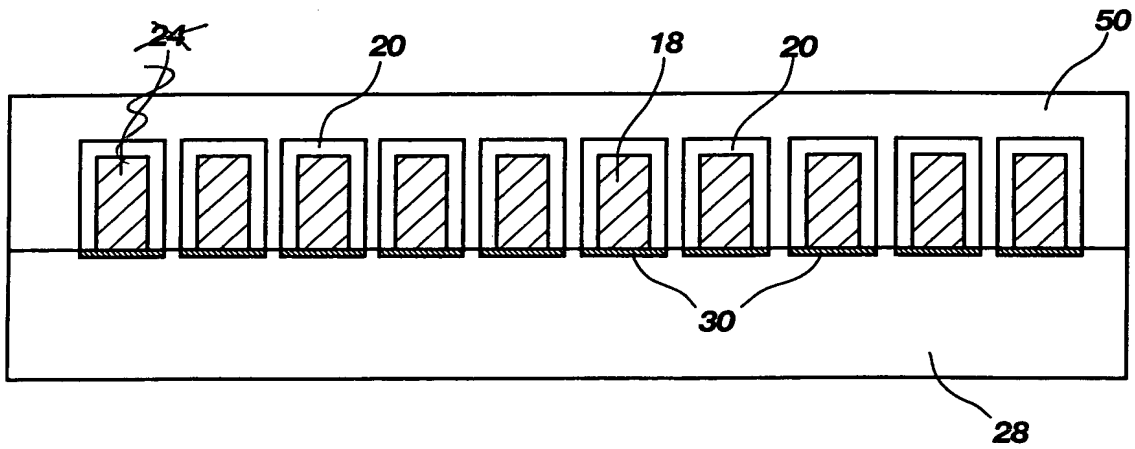


Fig. 13

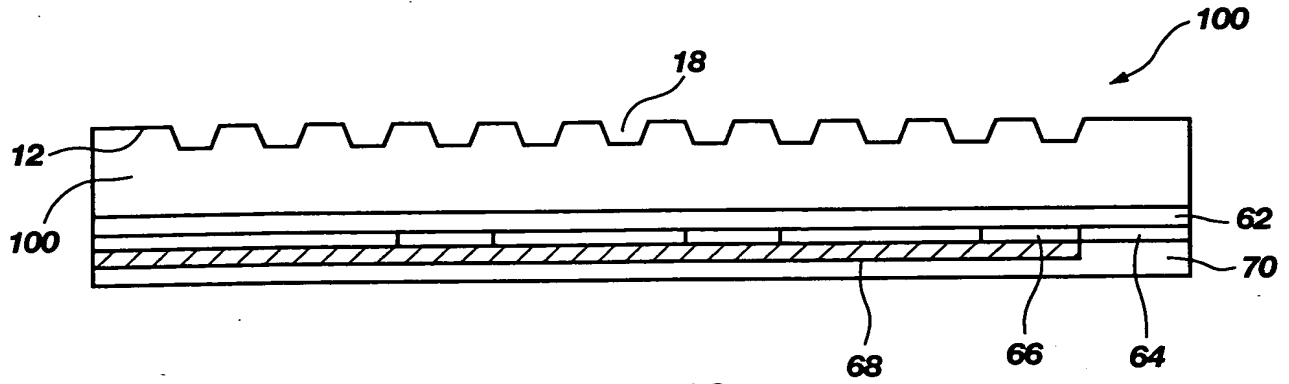


Fig. 16

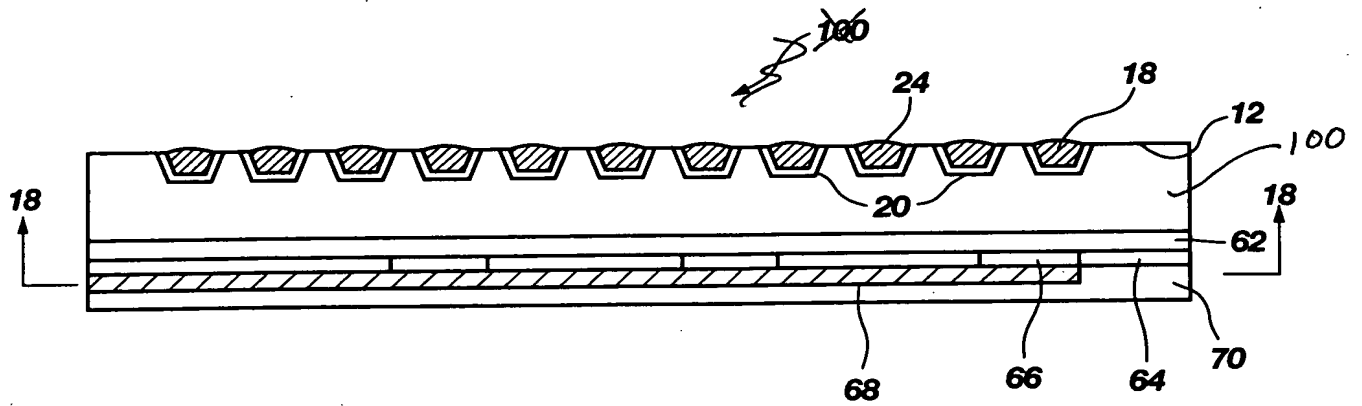


Fig. 17